

A-304

High Voltage Amplifier/ Piezo Driver and Modulator



The A-304 piezo Driver/Piezo Amplifier is a high Voltage, high speed Piezo Driver / Linear Amplifier combined with a wide band AM/FM modulator.

It was especially designed as a Linear Amplifier / Driver for PIEZO Electric Actuators (also known as "Piezo Amplifier"), stacks, piezo sheets, bimorph elements and other devices. It may be also used as a general purpose High Voltage amplifier for Medical applications (for example, as electrode driver for Neurology).

The Piezo Driver / Piezo Amplifier is based on a high voltage, high frequency and high current MOSFET amplifier which is capable of driving up to $\pm 400V$ (800V ptp) at $\pm 100mA$ at frequencies from DC to 250 kHz. By connecting 2 amplifiers in parallel or in series, the output voltage and current may be doubled to 1600Vptp @ 100mA or 800Vptp @ 200mA. The amplifier section is very stable and has a low noise output and a very low electrical noise - Compare Our Specifications!

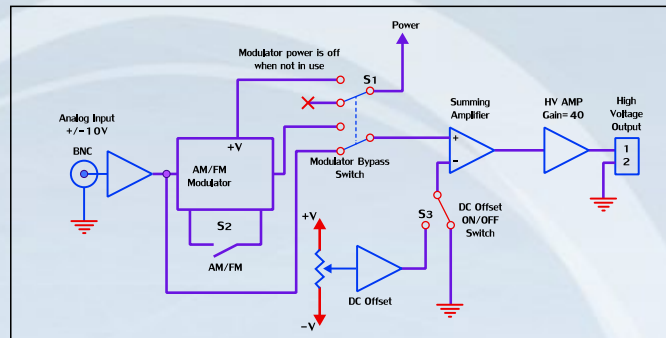
The built-in modulator (AM or FM) enables the user to modulate the carrier frequency (adjusted on the front panel) by any input signal at the range of $\pm 10V$. This modulator can be bypassed by a switch. This High Slew Rate Amplifier / Driver can be used for Various applications requesting high Slew Rate, High Voltage and fast response as: Plasma Driver and Plasma Actuation, driver for piezo manipulator, Optical Switching devices, closed loop feedback systems, vibration control, structural damping analysis, Flow actuation and control etc.

Features:

- Very Low Electrical Noise.
- Low Distortion
- No Audible Noise-you may hear your experiment*
- High Slew rate-up to 300 Volt/microsecond.
- Input protection-High Voltage, On/Off.
- Output protection - Short-circuit, Power loss, Impedance.
- Built in Modulator:
- Amplitude(AM) or Frequency(FM) modulation
- High Frequency - up to 100 kHz.
- Low distortion
- Sync output provides a square wave in the same phase and frequency of the modulator output (for synchronization and frequency measurement).

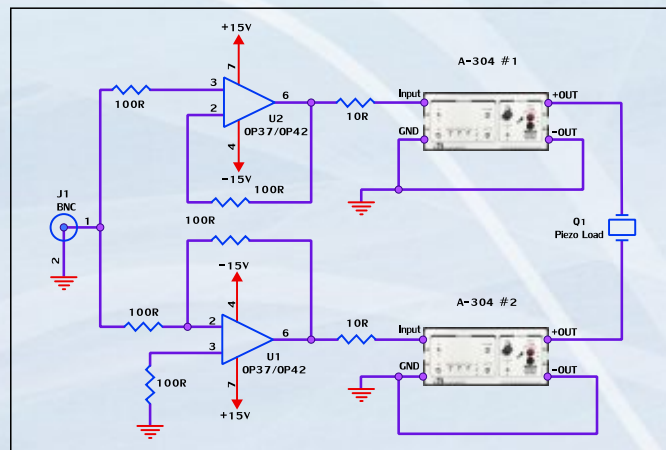
* The unit is self cooled - no fan or noisy parts.

Adjustable frequency, Gain, Offset
The modulator may be turned off if not in use (only amplifier section would work).
Amplitude and Frequency modulation



Applications:

2 amplifiers can be connected in series or in parallel in order to double the Output Voltage or Output Current.
Series connection (+/- 800V into a floating load = 1600V ptp).



Technical Specifications:

Modulator Section:	
Center Frequency	1 - 100 kHz adjustable
Modulation	Amplitude (AM) or Frequency (FM)
Waveform	Sine Wave
Distortion	0.5 % maximum
Modulation Input F.S.	± 10 V
Modulation Input Impedance	10 KΩ
Sync Output	1 V ptp, AC coupled, 1 KΩ impedance
Amplitude Adjustment	0.5 V ptp to 20 V ptp
Offset Adjustment	± 5 V or 0 V fixed
Modulator output Impedance	100Ω
The modulator may be turned off when not in use!	
AC Input:	
Line Input Voltage	110/120 V, 60 Hz or 220/230 V, 50 Hz
Line Input Current	1.3 A peak
Amplifier Section:	
Max. Input Voltage	± 12V
Max. Output Voltage	± 400 V (800 V ptp)
Max. Current	± 100 mA
Bandwidth	Into 1 KΩ resistive load DC to 300 kHz. (-3 dB)
Output Power	40 Watt maximum
DC Gain	40 (up to 100 optional)
Coupling	Input & Output: Direct DC Coupling
DC Offset	Adjustable to ± 320 Volts + DC On/Off
Input Impedance	10 KΩ
Slew Rate	300V/ μSec
Output Impedance	100Ω
Output Noise, input shorted, 300 KHz. bandwidth	10 mV PTP max. (2 mV RMS max.)
Variable Gain Option	0-40X or 0 - 100X available. Consult factory for that option.

Calculating the estimated current needed to drive your load:

In order to purchase the right amplifier to drive your load, you must calculate the peak current needed for capacitive load:

$$I_{peak(A)} = 2 \pi F C V_{peak} \text{ (for a Sine Wave)}$$

$$I_{peak(A)} = 4 F C V_{peak} \text{ (for a triangular wave)}$$

$$I_{peak(A)} = C dV / dt \text{ (for a square wave or sharp rise time)}$$

F=Maximum frequency (Hz.)

$\pi = 3.1415927$

C=Capacitance in Farads

V_{peak}=Maximum Voltage you need to drive your Load.

For Resistive Load: $I = V_{peak}/R$ where R is the resistance of your load in Ohms.

The current, Voltage and Frequency must be less or equal to the amplifier's specifications.

This amplifier is NOT SUITABLE for driving pure inductive loads

(i.e. speakers, solenoids, electromagnets etc.)

You must connect your load with thick wires to minimize inductance (like speaker wires). Coaxial cable is not recommended for cables over 2m (6.5 Ft.) because the capacitance of the cable (15-50 pF/Ft) will load your amplifier at high frequencies.

Example:

The active impedance of a capacitive load is given by the equation:

$Z = 1/(2 * \pi * F * C)$ where $\pi = 3.1415$, C in Farads, F in Hz. The user must check that under the peak operation Voltage, at maximum frequency, the current will not exceed 200mA (0.2A).

Example:

Operating Voltage is +/-150V, Maximum Frequency=10KHz. Load is 10nF.

$$Z = 1/(2 * 3.1415 * 10,000 * 10E-9) = 1592 \text{ Ohms.}$$

$150[V]/1592[\text{Ohm}] = 94[\text{mA}]$ ==>The amplifier will drive that load at an amplitude of 150V (300V ptp).

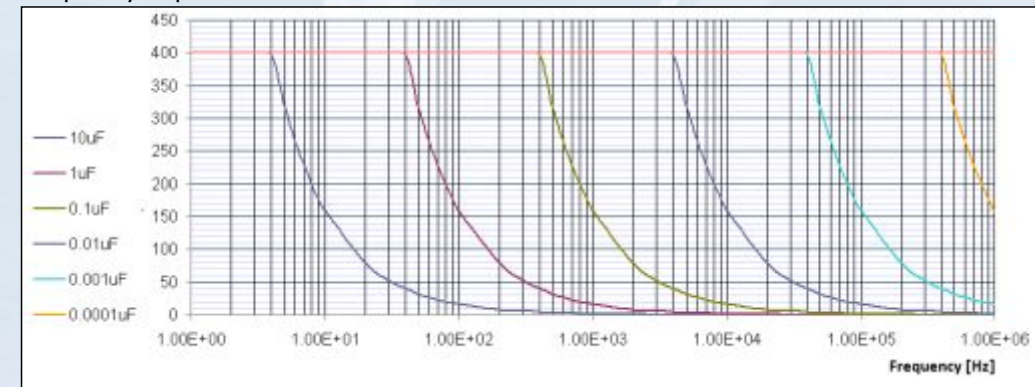
Please note that both amplifiers must be floating (i.e. be careful not to ground them via an oscilloscope etc.) It is also possible to double or triple the output voltage by using a special transformer.

Using a transformer is possible only at high frequency (over 10 KHz.) and it requires more components to be added for balancing and proper termination of the load.

Parallel connection is done by adding resistors at the input and at the output.

Please consult the factory for parallel connection.

Frequency response curve for various loads:



Fast shipping!!!

All amplifiers are available from stock. We ship within 1 working day after your credit card was approved. Shipping is by UPS. It takes up to 3 working days to ship by UPS to any country.

We accept VISA, MasterCard, American Express.

Your credit card is charged only after we ship the order.

